

# Trimvent® Select E18

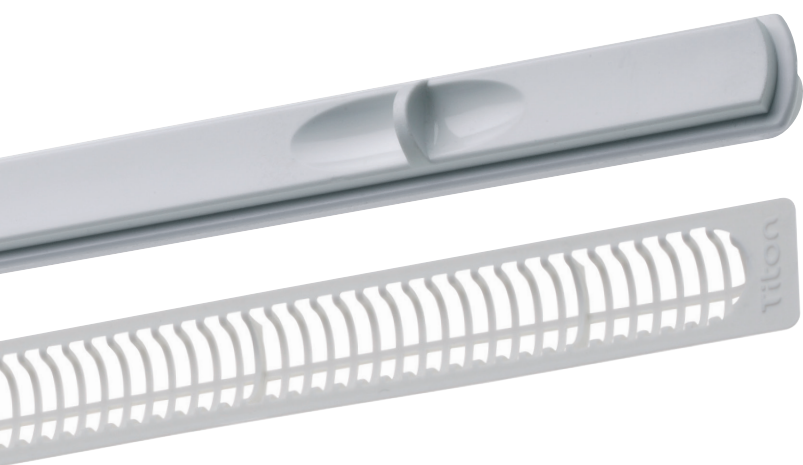
## Recessed clip-fix slot ventilator

### Suitable for PVCu

Trimvent® Select E18 is a semi recessed clip fix plastic slot ventilator that fits into an 18mm slot in a window overhead section or cavity closer and provides an Equivalent Area (EA) of 4200mm<sup>2</sup> when fitted with a pair of GS18 grilles.

The E18 is ideal for both new build and refurbishment situations using PVCu windows and is available in a variety of colours.

Trimvent® Select ventilators have been specified and fitted on millions of windows throughout the UK and mainland Europe over the last 15 years.



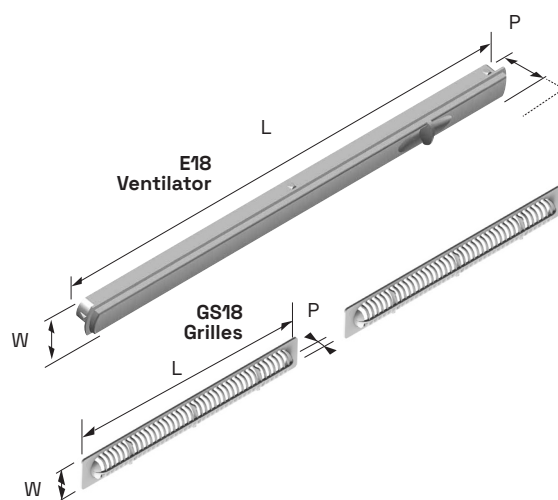
Trimvent® Select E18 Ventilator





Trimvent® Select GS18 Grilles

## Features & Benefits

- Revised design to improve performance and Regulations compliance
- Unique occupant controllable tilting T-bar
- Deflects air up or down, or both
- Ideal for overhead sections
- Push to fit, no tools or screws required
- Minimal projection (when closed) for ease of window stacking during transit
- Flange covers slot edges
- Clips into an 18mm slot
- For use with GS18 grilles
- Based on successful Trimvent® principle
- Sculpted finger recess
- Patented and registered design
- When specified correctly complies with Building Regulations



## Details

Product	Product Code	(L) Length	(W) Width	(P) Projection Closed-Open	EA (mm <sup>2</sup> )	Free Area (mm <sup>2</sup> )	Slot Detail
E18 4200EA Vent	TS1134212	372	24	13 - 23	4200	4247	
GS18 210 Pair Grilles	TS3184050	210 X 2	25	1.5	4200	4608	

**NOTE:** Vent can only be used on sections with wall thickness of 2-2.5mm. Slot tolerances of  $\pm 0.5$ mm are required.

EA figures above and marked on vents are achieved when fitted to manufacturer's recommendations. Tested in accordance with BS:EN 13141-1 (2004).

This product does feature some protrusion into the slot. If the recommended slot size has been cut then the protrusion will not affect fitting or claimed performance.

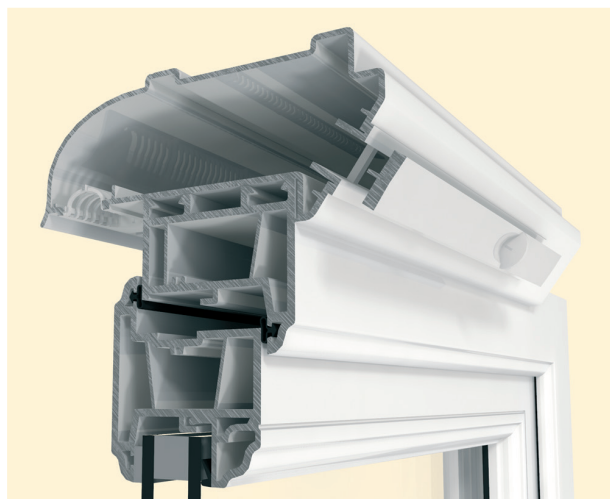
### Manufactured from

Vent – PBTP (UV Stable) & POM, Grille – PP

### Standards

Tested in accordance with BS EN 13141-1:2004 (airflow, air leakage and weather tightness)

Acoustic performance tested in accordance with BS EN ISO20140-10:1992, BS EN ISO140-10:1991 and single figures to BS EN ISO717-1:1991



Overhead Section

### Performance

(Full test details available on request)

Equivalent Area – See above

Free Area – See above

Air Leakage (m<sup>3</sup>/hr @ 50Pa) – 2.31 (with GS18)

Acoustic D<sub>n,e,w</sub> (+/-) – vent open 31 (-1;-1), vent closed 43 (-1;-2)

### Finishes

Suffix product code with:

-392 (white), -315 (brown)

### More information

enquiries@titon.co.uk / 01206 713801