

# Maintenance Manual

## Venture

### Standard Duty Friction Hinge

---



# Maintenance Manual

## Introduction

Thank you for choosing this quality product from Titon. We want it to give the very best performance throughout its life, so it must be properly maintained at regular intervals and in accordance with the following directions.

### **Safety First!**

It is the users responsibility to ensure compliance with all relevant safe working practices during maintenance work.

## General Advice

### **Storage**

Hardware is carefully packed before delivery to avoid damage. It is important that all ironmongery received on site is stored in secure, clean and dry conditions prior to fixing. Abrasives, acids and other corrosive materials should be stored well away from hardware.

### **Fixings**

When products are supplied with appropriate fixing instructions, these should be adhered to carefully. The recommended fixings should not be substituted without reference to Titon as this may affect product performance. Fixing instructions should be retained and handed over to building maintenance staff for future reference.

### **Installation**

In order to operate correctly, products should be installed in accordance with the manufacturers fixing instructions. During construction works, ironmongery should be carefully protected from dust, paint and abrasion. It is the installers responsibility to ensure that the product operates correctly.

### **Aftercare**

The window fabricator is obliged to give maintenance and operating instructions to the user.

Titon is not liable for malfunctions or damage to the hardware and to windows equipped with the hardware, if any such malfunctions or damage have been caused by incorrect product specification, failure to adhere to the fitting and maintenance instructions, incorrect use, or if the product is exposed to excessive soiling.



## Maintenance Advice

### Operation

This product should only be fitted or replaced by a trained professional and strictly in accordance with the manufacturers instructions. It should be checked frequently to ensure that it operates correctly.

- Ensure that it is correctly fixed and that it does not interfere with the correct operation of other ironmongery or the window sash.
- Ensure that the hinge and slider channel is clear of dirt and debris and that the friction slide is free to move along the slider channel.
- Ensure that all fixing screws are tight; fully tighten any loose fixing screws. Note that the brass adjustment screw is NOT a fixing screw and should not be over-tightened.
- Damaged screws should be replaced by screws of a suitable size and type to ensure that the friction hinge is fixed firmly.
- If the vent arm fixing hole is countersunk, it must be fitted with a countersunk head screw of a length to ensure that the head is flush/sub-flush in order to maintain a clear, flat surface. If the screw in this location is not flush, it must be replaced.
- Ensure that friction hinges on both sides of the window sash have equal friction. If not, friction may be adjusted by turning the brass adjustment screw (clockwise for more friction, counter-clockwise for less).
- Ensure that there is sufficient friction to hold the sash firm in all weather conditions. If the sash feels loose, apply additional friction by tightening the brass adjustment screw.
- Where additional stay arms are fitted, ensure that these are clear of dirt and debris and attached securely.
- Do not continue to use the window if an operational malfunction has been identified.
- **When in doubt, consult a professional.**

### Care of Finishes

More window & door furniture is damaged by incorrect cleaning than by any other means. It is vitally important to ensure proper care in keeping the finish clean. Dust, which is chemically active, and moisture, which is frequently acidic, are the main natural hazards affecting door and window furniture. Simple but regular cleaning is therefore more successful than more severe sporadic treatment. This work may be carried out by the user.

Irreparable damage can be caused to the surface by using proprietary metal polishes, harsh abrasive cleaners or emery cloths.

This product is manufactured from austenitic stainless steel to grade 430 BS EN 10088-2 1.4016.

- Stainless steel should be dusted regularly.
- Clean occasionally with warm soapy water and dry thoroughly with a soft cloth. Avoid acid or chloride based cleaning products and abrasive materials.
- During cleaning, avoid bending or stressing the hinge components.
- After cleaning, follow the lubrication guidelines below.

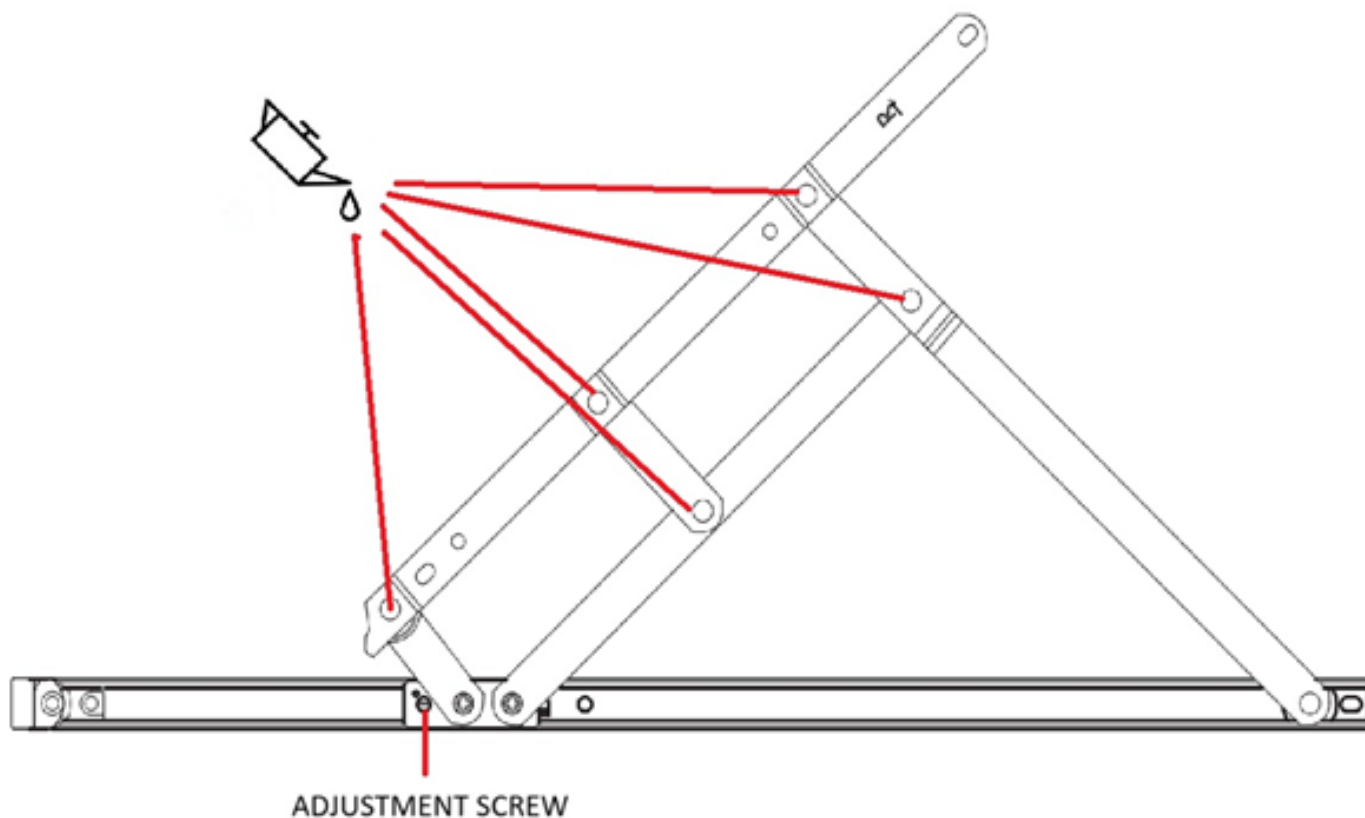


## Maintenance Advice

### Lubrication

This product should be lubricated at least annually, although we recommend six-monthly intervals for frequent use or where the installation is near a coastal area. This work may be carried out by the user.

- Lubricate the hinge pivot points on both sides with acid free and non-resinous light machine oil. Do not use solvent based cleaning solutions, such as WD40.
- **DO NOT** apply lubricant to the friction slide or to the pivot points that are attached to the friction slide; this may prevent the correct functioning of the friction hinge.



- Care should be taken to ensure that excess oil is removed.
- After lubricating, check the product operation (above).