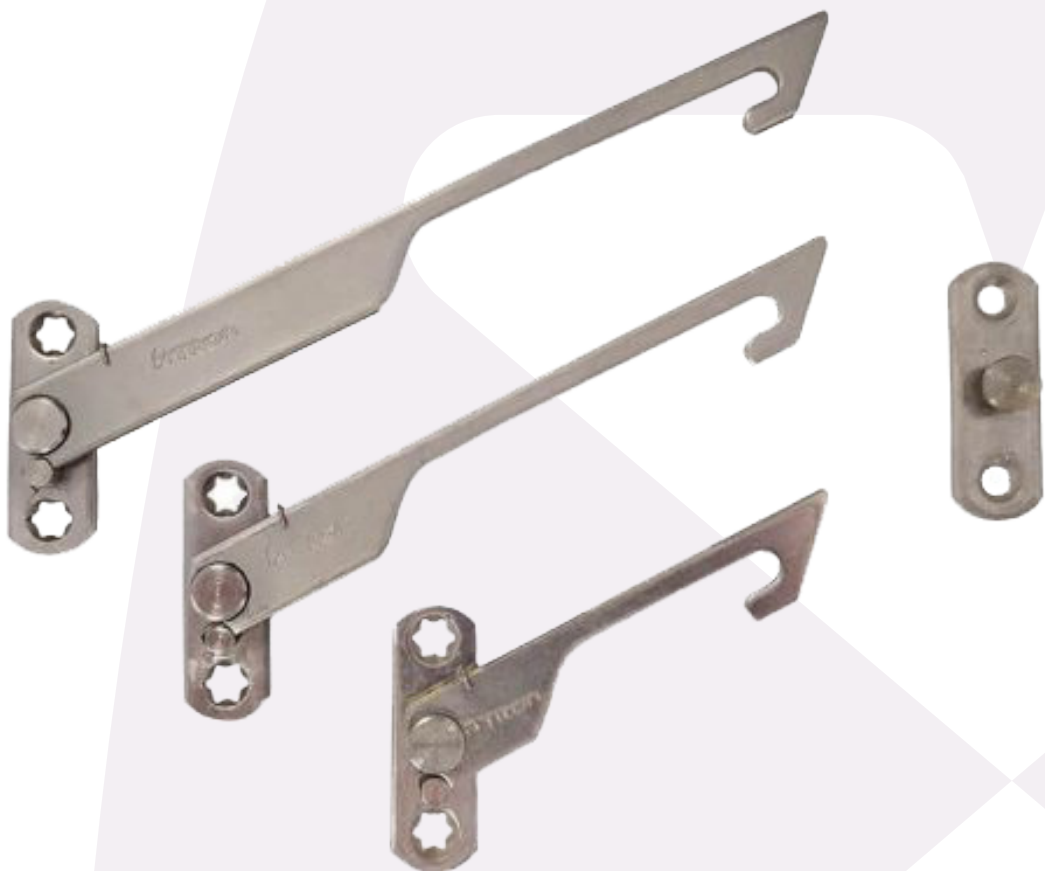


Maintenance Manual

Capture

Window Safety Restrictor



Maintenance Manual

Introduction

Thank you for choosing this quality product from Titon. We want it to give the very best performance throughout its life, so it must be properly maintained at regular intervals and in accordance with the following directions.

Safety First!

It is the users responsibility to ensure compliance with all relevant safe working practices during maintenance work.

General Advice

Storage

Hardware is carefully packed before delivery to avoid damage. It is important that all ironmongery received on site is stored in secure, clean and dry conditions prior to fixing. Abrasives, acids and other corrosive materials should be stored well away from hardware.

Fixings

When products are supplied with appropriate fixing instructions, these should be adhered to carefully. The recommended fixings should not be substituted without reference to Titon as this may affect product performance. Fixing instructions should be retained and handed over to building maintenance staff for future reference.

Installation

In order to operate correctly, products should be installed in accordance with the manufacturers fixing instructions. During construction works, ironmongery should be carefully protected from dust, paint and abrasion. It is the installers responsibility to ensure that the product operates correctly.

Aftercare

The window fabricator is obliged to give maintenance and operating instructions to the user.

Titon is not liable for malfunctions or damage to the hardware and to windows equipped with the hardware, if any such malfunctions or damage have been caused by incorrect product specification, failure to adhere to the fitting and maintenance instructions, incorrect use, or if the product is exposed to excessive soiling.



Maintenance Advice

Operation

This is a safety product. It should only be fitted or replaced by a trained professional and strictly in accordance with the manufacturers instructions. It should be checked frequently to ensure that it operates correctly.

- Ensure that the restrictor fully engages securely with the pin every time that the window is opened. If it does not, consult a professional immediately.
- This product should be checked regularly to ensure that it is correctly fixed and that it does not interfere with the correct operation of other ironmongery or the window sash.
- If this product fails to limit the window opening to a maximum of 100mm (ref BS8213-1), consult a professional immediately.
- Loose screws should be tightened and damaged screws should be replaced by screws of a suitable size and type to ensure that the capture pin is firmly fixed to the frame. NOTE: We recommend the use of stainless steel screws only.
- Do not continue to use the window if an operational malfunction has been identified.
- **When in doubt, consult a professional.**

Care of Finishes

More window and door furniture is damaged by incorrect cleaning than by any other means. It is vitally important to ensure proper care in keeping the finish clean. Dust, which is chemically active, and moisture, which is frequently acidic, are the main natural hazards affecting door and window furniture. Simple but regular cleaning is therefore more successful than more severe sporadic treatment. This work may be carried out by the user.

Irreparable damage can be caused to the surface by using proprietary metal polishes, harsh abrasive cleaners or emery cloths.

This product is manufactured from austenitic stainless steel to grade 304 BS EN 10088-2 1.4301.

- Stainless steel should be dusted regularly.
- Clean occasionally with warm soapy water and dry thoroughly with a soft cloth. Avoid acid or chloride based cleaning products and abrasive materials.
- During cleaning, avoid bending or stressing the hinge components.
- After cleaning, follow the lubrication guidelines below.

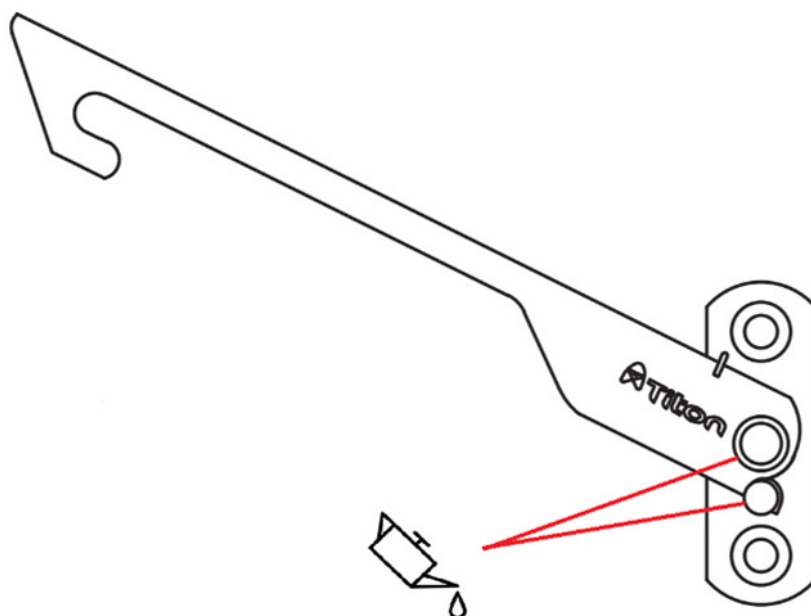


Maintenance Advice

Lubrication

This product should be lubricated at least annually, although we recommend six-monthly intervals for frequent use or where the installation is near a coastal area. This work may be carried out by the user.

- Lubricate the hinge pivot points on both sides with acid free and non-resinous light machine oil. Do not use solvent based cleaning solutions, such as WD40.



- Care should be taken to ensure that excess oil is removed.
- During lubrication, do not rotate the hook beyond its working range (parallel with the sash)
- After lubricating, check the product operation (above).