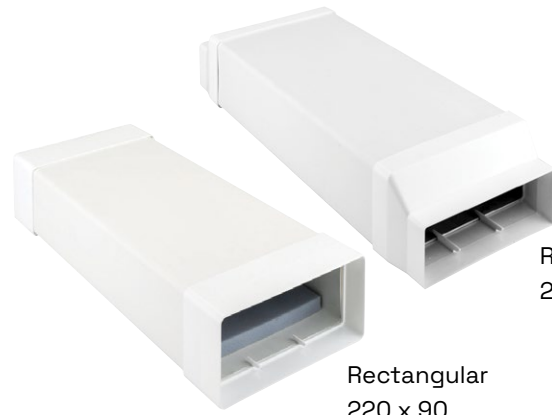


# Sound Attenuators Rigid Ducting

For use with Titon's HRV Q Plus and CME Q Plus Ranges



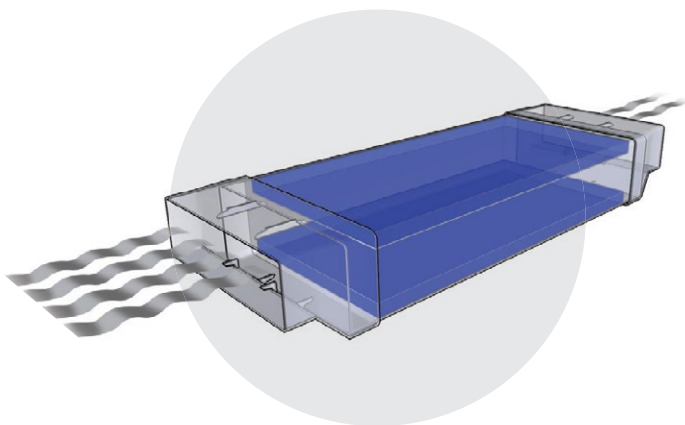
Rectangular  
204 x 60 Hi Flow

Rectangular  
220 x 90

In the ever changing world of greater energy efficiency and more comfortable living, there has been a step change in the way that designers and specifiers have addressed domestic ventilation challenges.

Many new homes now incorporate central ventilation systems whereupon individual rooms are connected to a central system utilising a heat recovery unit. This allows for the collection of warm moist air from the wet areas, say in the kitchen and bathroom, to be ducted to the central heat recovery unit, where the moisture content is reduced and the dryer, warm air is used to condition fresh air from outside which is returned to other living spaces, such as the lounge and bedrooms.

One of the potential disadvantages to this network of ducting is that noise from the electric fan and mechanical moving parts can be transmitted along the duct runs and cause a noise nuisance to the occupants.



## Key Features

Titon's plastic duct silencers available in 204mm x 60mm and 220mm x 90mm have been designed for high flow rate installations with low pressure drops.

The new silencer offers many advantages over the traditional metal equivalent with corrosion free plastic construction giving a long serviceable life and no maintenance.

With a height profile of only 95mm, allows for installation in most ceiling and roof voids and can be hidden out of sight on top of kitchen cupboards.

Titon's plastic duct silencers provide effective attenuation as recommended by Document F of the Building Regulations.

## Specification

Available Colours	White
Free Area	up to 11,664mm <sup>2</sup>
Max/min temp	60°C / -15°C
Material used	UPVC

1500mm 1000mm 500mm



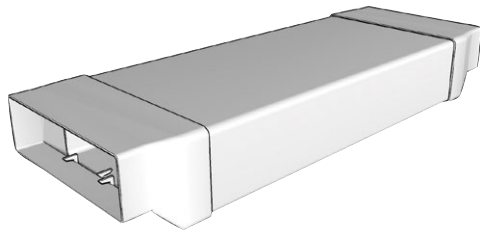
## Features

- High-flow performance and low resistance
- Reducing in-duct noise
- Reduces cross talk attenuation
- Available in 204 x 60mm and 220 x 90mm
- Lengths available 500mm, 1000mm and 1500mm
- Lightweight and easy to install
- Anti-corrosive

# Drawing and Dimensions

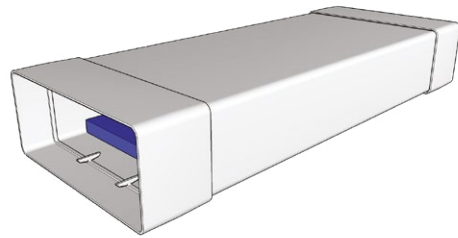


Rectangular 204 x 60 - Hi Flow



Product Code	Description	Width	Height	Length
8960290	Rectangular 204 x 60 - Hi Flow	225	95	560
8960291	Rectangular 204 x 60 - Hi Flow	225	95	1060
8960292	Rectangular 204 x 60 - Hi Flow	225	95	1560

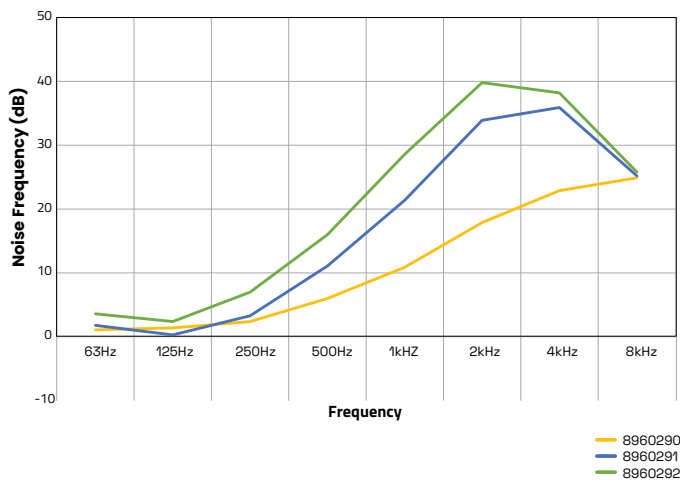
Rectangular 220 x 90



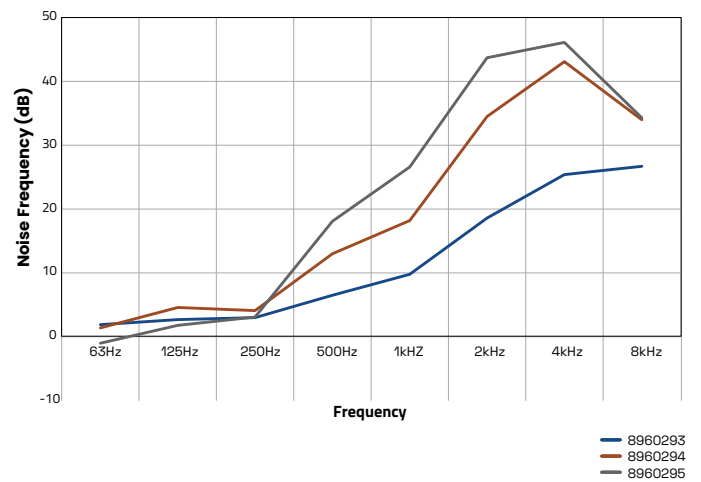
Product Code	Description	Width	Height	Length
8960293	Rectangular 220 x 90	225	95	508
8960294	Rectangular 220 x 90	225	95	1008
8960295	Rectangular 220 x 90	225	95	1508

## Sound Attenuation Chart (dB)

Rectangular 204 x 60 - Hi Flow



Rectangular 220 x 90



Product Code	63Hz	125Hz	250Hz	500Hz	1kHz	2kHz	4kHz	8kHz
8960290	1.1	1.4	2.4	6.0	10.9	17.9	22.9	24.9
8960291	1.8	0.3	3.3	11.1	21.4	33.9	35.9	25.2
8960292	3.6	2.4	7.0	16.0	28.6	39.8	38.2	25.8

Product Code	63Hz	125Hz	250Hz	500Hz	1kHz	2kHz	4kHz	8kHz
8960293	1.9	2.7	3.0	6.5	9.8	18.6	25.4	26.7
8960294	1.4	4.6	4.1	13.0	18.2	34.5	43.1	34.0
8960295	-1	1.8	3.1	18.1	26.6	43.7	46.1	34.3

Product Code	(l/s) Flow rate	15	30	60	90	120	150	180
8960290	Pa	1.5	7.8	28.0	59.0	102.0	153.0	214.0
8960291	Pa	1.8	8.0	27.8	85.0	104.0	166.0	240.0
8960292	Pa	2.0	9.3	28.0	60.0	102.0	155.0	214.0

Product Code	(l/s) Flow rate	15	30	60	90	120	150	180
8960293	Pa	0.9	3.7	11.7	25.5	45.5	71.0	101.5
8960294	Pa	1.5	3.9	13.8	30.0	53.4	82.5	118.0
8960295	Pa	1.5	4.8	17.0	37.0	64.0	99.0	140.0