

Maco Inline

Espagnolette

Suitable for PVCu, Aluminium and Timber

Multipoint locking espagnolette for side hung or top hung applications with adjustable mushroom cams.

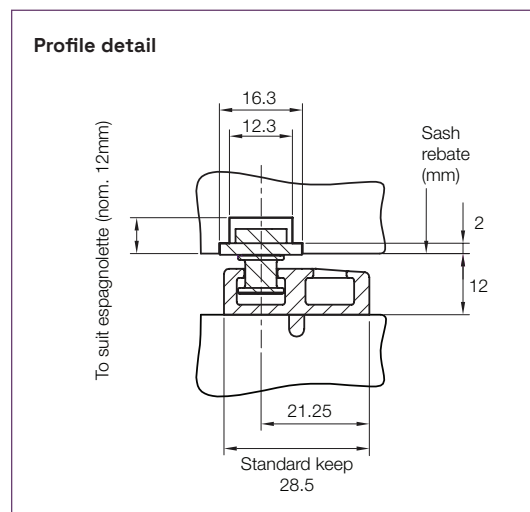
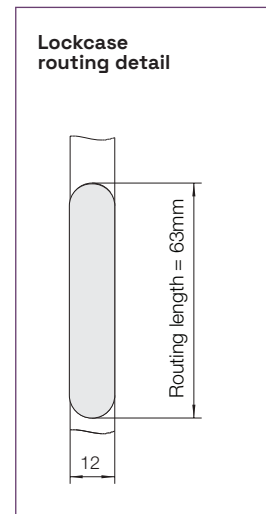
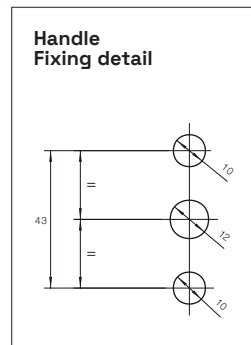
Designed for profiles with eurogroove, the Maco Inline Espagnolette is available in various non-croppable lengths with two backsets and three cam heights.

The Maco Inline Espagnolette is compatible with all standard espag handles with 43mm fixing centres with a 7mm square spindle.



Features & Benefits

- Suitable for use on windows with a 16mm eurogroove
- Mushroom head cams aid security
- Adjustable locking cams
- Can be fitted in either a standard or shallow a eurogroove
- 7.7mm, 9mm or 10.5mm cam heights
- 20mm and 22mm backset versions available
- Available in sizes ranging from 100mm to 1200mm
- Keeps/striker plates are profile related, please phone for suitability



Details

Maco Inline Espagnolette – 20mm Backset Version

Length	7.7mm Mushroom Height	9mm Mushroom Height	10.5mm Mushroom Height
100	MA 58486	MA 58488	MA 204251
260	MA 58493	MA 58494	MA 58495
400	MA 58501	MA 58502	MA 58500
600	MA 58508	MA 58509	MA 58507
800	MA 58515	MA 58516	MA 58514
1000	MA 58522	MA 58523	MA 58521
1200	MA 58528	MA 58529	-

Maco Inline Espagnolette – 22mm Backset Version

100	MA 58490	MA 58492	MA 204253
260	MA 58496	MA 58497	MA 58498
400	MA 58504	MA 58505	MA 58503
600	MA 58511	MA 58512	MA 58510
800	MA 58518	MA 58519	MA 58517
1000	MA 58525	MA 58526	MA 58524
1200	MA 58530	MA 58531	MA 204258

Size capacity

100 to 1200mm espagnolette lengths

Manufactured from

Mild steel

Finish

Silver Chromate

Recommended screws

Espagnolette/Shootbolt – 4mm/No.8 countersunk head

Handle fitting – M5 machine screw or suitable alternative

Performance

(Full test details available on request.) Conforms to BS644, BS4873 and BS 7412: 2002 corrosion resistance, tested in accordance with BS EN 1670: 2007 Grade 5 Silver Chromate

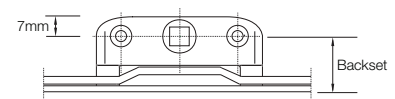
When ordering please specify:

1. Espagnolette type 2. Sash size (preferably espagnolette length) 3. Backset size 4. Cam size 5. Profile name and number

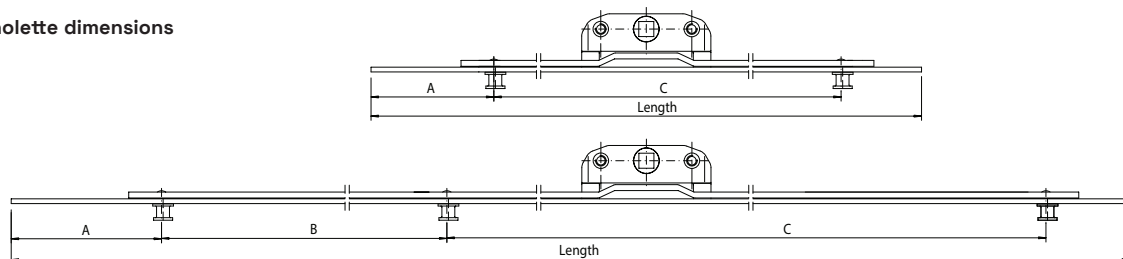
More information

sales@titon.co.uk / 01206 713801

Lockcase dimensions



Espagnolette dimensions



Length	BS	A - mm	B - mm	C - mm
100	20mm	N/A	N/A	N/A
260	20mm	58	N/A	164
400	20mm	71	N/A	278
600	20mm	71	N/A	498
800	20mm	71	N/A	678
1000	20mm	71	294	584
1200	20mm	71	394	684

Length	BS	A - mm	B - mm	C - mm
100	22mm	N/A	N/A	N/A
260	22mm	58	N/A	164
400	22mm	71	N/A	278
600	22mm	71	N/A	498
800	22mm	71	N/A	678
1000	22mm	71	294	584
1200	22mm	71	394	684