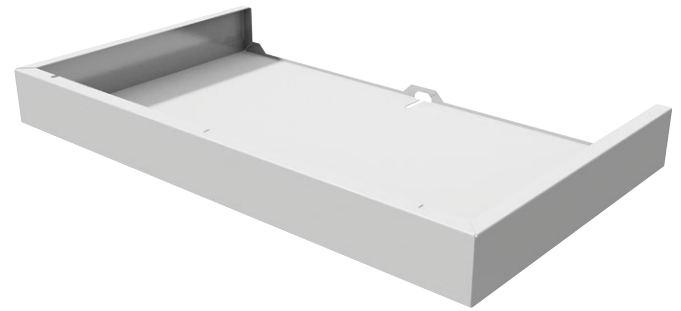


HRV

Condensate Drain Cover



Description

HRV Condensate Drain Cover

HRV Condensate Drain Covers are designed to conceal the service pipe attached to the underside of Titon HRV units to improve overall appearance.

The covers match the construction, quality and finish of the HRV units and can be easily installed and removed if required.

The cover has a depth of 74mm and the drainage pipe must be installed within this depth for the cover to be fitted. The drainage trap cannot be installed within this cover void, therefore it must be located in a suitable alternative position.

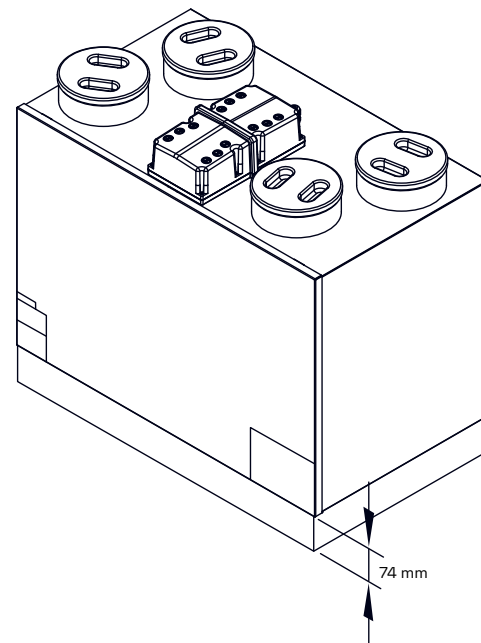
Product Codes

HRV1.35 - **TP545**

HRV1.6 - **TP544**

HRV4, 4.25 - **TP705**

Drawing and Dimension



Features

- HRV Condensate Drain Covers are designed to conceal the service pipe attached to the underside of Titon HRV units to improve overall appearance.
- The covers match the construction, quality and finish of the HRV units and can be easily installed and removed if required.
- The cover has a depth of 74mm and the drainage pipe must be installed within this depth for the cover to be fitted. The drainage trap cannot be installed within this cover void, therefore it must be located in a suitable alternative position.

