



Ceiling Air Valve (Supply) Standard



The round white metal ceiling air supply valve is manufactured from white epoxy powder coated steel. The valve has a male spigot to fit inside 100/125/150mm ducting.

The supply air valve is fully adjustable and has a locking nut to fix the position of the controlled disc upon commissioning.

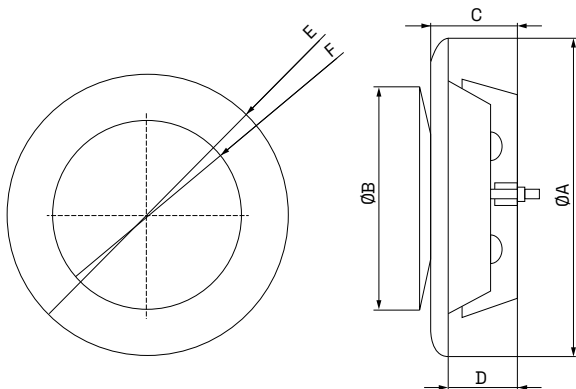
The valve is supplied complete with a fixing body with pre-drilled holes for installation.

The valve engages/disengages to the fixing body by a quarter turn clockwise/anticlockwise.

Product Specification

Ceiling Metal Vent Diffuser - Supply			
Part Number	8960229	8960232	8960235
Size	100mm	125mm	150mm
Colour	RAL9016	RAL9016	RAL9016
Operating Temperature			
Max	+60°C	+100°C	+60°C
Min	-15°C	-20°C	-15°C
Weight	270g	343g	270g

Drawing and Dimensions

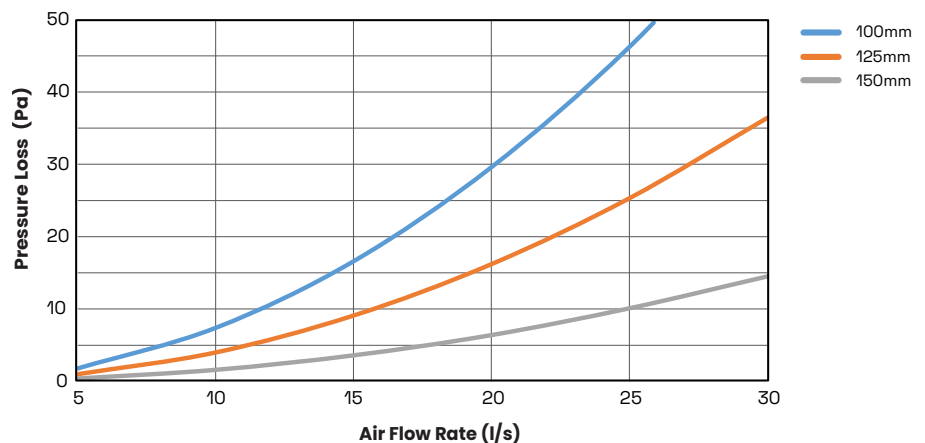


	100mm	125mm	150mm
ØA	138	162	201
ØB	94	114	135
C	40	44	51
D	32	36	38.5
ØE	138	163	202
ØF	94	114	135

Dimensions in mm

Performance Details

Airflow l/s	100mm (Pa)	125mm (Pa)	150mm (Pa)
8	6	6	2
13	12	10	3
21	33	20	7
30	67	36	15
60	280	132	57
120	1150	430	227



Pressure loss with control disc open to 10mm